

COMPACT DESIGN, **BIG PERFORMANCE**

**GIANT**<sup>®</sup>  
BY TOBROCO

# G2200E

## COMPACT, POWERFUL, 100% ELECTRIC



### MODELS

G2200E | G2200E X-TRA | G2200E TELE

# STANDARD / X-TRA / TELE



### DISTINCTIVE FEATURES

The G2200E and G2200E X-TRA are 2.2-ton wheel loaders and the first electric machines developed entirely in-house by TOBROCO-GIANT. These 2.2-ton wheel loaders combine the best of both worlds with the advantages of an articulated loader and virtually silent operation without emissions. Recently, the G2200E TELE has been added, a variant with a telescopic boom. Thanks to the emission-free drive, the compact (telescopic) wheel loaders are ideal for working in confined spaces or urban areas.

The G2200E series uses high-quality components such as Jungheinrich, Bosch Rexroth, Comer, and Hydac. For high reliability and maximum utilization of the machines, all parts

are extensively tested under harsh conditions. This results in maximum operational reliability, low operating costs, and high residual value.

TYPES	G2200E	G2200E X-TRA	G2200E TELE
Service weight <sup>1</sup>	2.200 kg	2.200 kg	2.300 kg
Lifting capacity	1.650 kg	2.200 kg	1.500 kg
Tipping load	1.450 kg	2.054 kg	see graph
Lifting height	2.825 mm	2.450 mm	3.395 mm
Length without bucket	2.975 mm	3.054 mm	3.060 mm
Width	1.080 mm	1.080 mm	1.080 mm
Machine height	2.300 mm	2.300 mm	2.300 mm

<sup>1</sup> Measured with standard version and earthbucket.

# KEY FEATURES



- 1. COMFORTABLE WORKING** - A spacious and comfortable working environment.
- 2. SAFE WORKING** - The cab and safety roofs are internationally certified for ROPS/FOPS protection.
- 3. LITHIUM-IRON PHOSPHATE BATTERY** - These machines are equipped with a safe and efficient lithium-iron phosphate battery, incorporating the latest lithium technology.
- 4. MAINTENANCE** - The maintenance-free battery and electric motors result in lower maintenance intensity compared to fuel-powered machines.
- 5. MANEUVERABLE & STABLE** - The articulated pendulum system ensures maneuverability and stability.
- 6. MULTIFUNCTIONAL** - Easily switch attachments and adapt the machine to your tasks.
- 7. POWERFUL & PRODUCTIVE** - Equipped with two independent electric motors for an optimal and efficient system.
- 8. QUIET OPERATION** - Ideal for working in quiet areas to avoid noise pollution.
- 9. SPEED** - Three driving modes for precise tasks (0-4.5 km/h, 0-12 km/h, 0-18 km/h).
- 10. COMPACT DESIGN** - The compact design of the G2200E allows working in tight spaces.

## TOP PERFORMANCE



G2200E TELE

*“We see significant financial gains from owning electric machines.”*

- Michael Niemann, Buus Landscaping

### EXCEPTIONAL PERFORMANCE

The G2200E offers impressive performance that rivals conventionally powered diesel machines. With its compact dimensions and excellent maneuverability, the G2200E is ideal for various applications. Moreover, the G2200E operates emission-free and quietly, creating a pleasant environment for both people and animals.

The G2200E wheel loaders are standard equipped with a 48V lithium-ion battery and two separate electric motors, 6.5 kW for driving and 12 kW for work hydraulics. The 6-ton axles and four-wheel drive provide the machines with a traction force of 12,500 N, ensuring sufficient power at all times. The two independent electric motors make the machine more efficient to operate.



G2200E X-TRA

### PRECISE TASK EXECUTION

Three speeds can be selected to perform tasks accurately. In ECO mode, the machines have a top speed of 5 km/h, the standard mode offers a top speed of 12 km/h, and the Full Power mode is the fastest setting with a top speed of 18 km/h. With a lifting height of 2.85 meters and a lifting capacity of 1,650 kg, the G2200E offers an ideal balance between height and lifting power. This machine is perfect for various applications and offers reliable performance. The G2200E X-TRA has a lifting capacity of 2,200 kg and a lifting height of 2.45 meters. Developed for heavy-duty work in construction and earthmoving, it offers robust performance. The G2200E TELE has an impressive lifting height of 3.4 meters, making it ideal for tasks requiring extra reach.



G2200E

## COMPACT DESIGN



G2200E

### CHARGING AS NEEDED

The lithium-iron phosphate batteries from TOBROCO-GIANT outperform traditional lead-acid batteries with their superior performance, fast charging times, and a lifespan that is up to three times longer. The G2200E can be equipped with a built-in charger of 40A or 60A, using a standard 230V power supply. Additionally, customers can choose an external charger on-site. These chargers are available with an amperage of 150A and 300A, allowing a battery to be charged to 50% within 30 minutes.

### LITHIUM-IRON PHOSPHATE BATTERY

TOBROCO-GIANT offers only high-quality LFP (lithium iron phosphate) batteries. These batteries have the properties to charge a lot of energy in a short time and have the highest safety rating compared to NMC and lead-acid batteries. TOBROCO-GIANT offers three lithium-iron phosphate batteries with a capacity of 260 Ah, 390 Ah, or 520 Ah. Depending on the choice, one battery charge is sufficient to work for 4, 6, or 8 hours under normal conditions. There is more than enough energy to work all day long.

### STABILITY AND MANEUVERABILITY

The articulated pendulum system gives the G2200E great stability and maneuverability. The system ensures that all four wheels remain on the ground, even when working on uneven terrain. This not only ensures safe working but also provides sufficient traction at all times.

*“We were convinced of the G2200E X-TRA within five minutes. The machine is powerful because you have the power available immediately. With the three different driving modes, it is always possible to work precisely. Additionally, the machine easily lifts a pallet of pavers.”* - Jeroen Hup, Hup Bestrating

## SAFE AND COMFORTABLE WORKING



The machines are standard equipped with a safety roof and can optionally be equipped with a foldable safety roof or full-option cab. The spacious and accessible cab of the G2200E is designed for optimal ease of use. The steering column is adjustable in height and depth and equipped with an LCD screen where all necessary information can be easily read. During the use of the multifunctional joystick, the operator can rest their arm on an ergonomically shaped armrest. Important buttons are within easy reach on and next to the joystick.



### 360° view around, from the cab

The G2200E machines have been extensively tested for safety by an independent body and internationally certified for ROPS/FOPS protection. The central position of the operator and the use of narrow pillars and a roof window provide 360-degree visibility around and on the tool. This ensures that tasks can be carried out efficiently and safely.



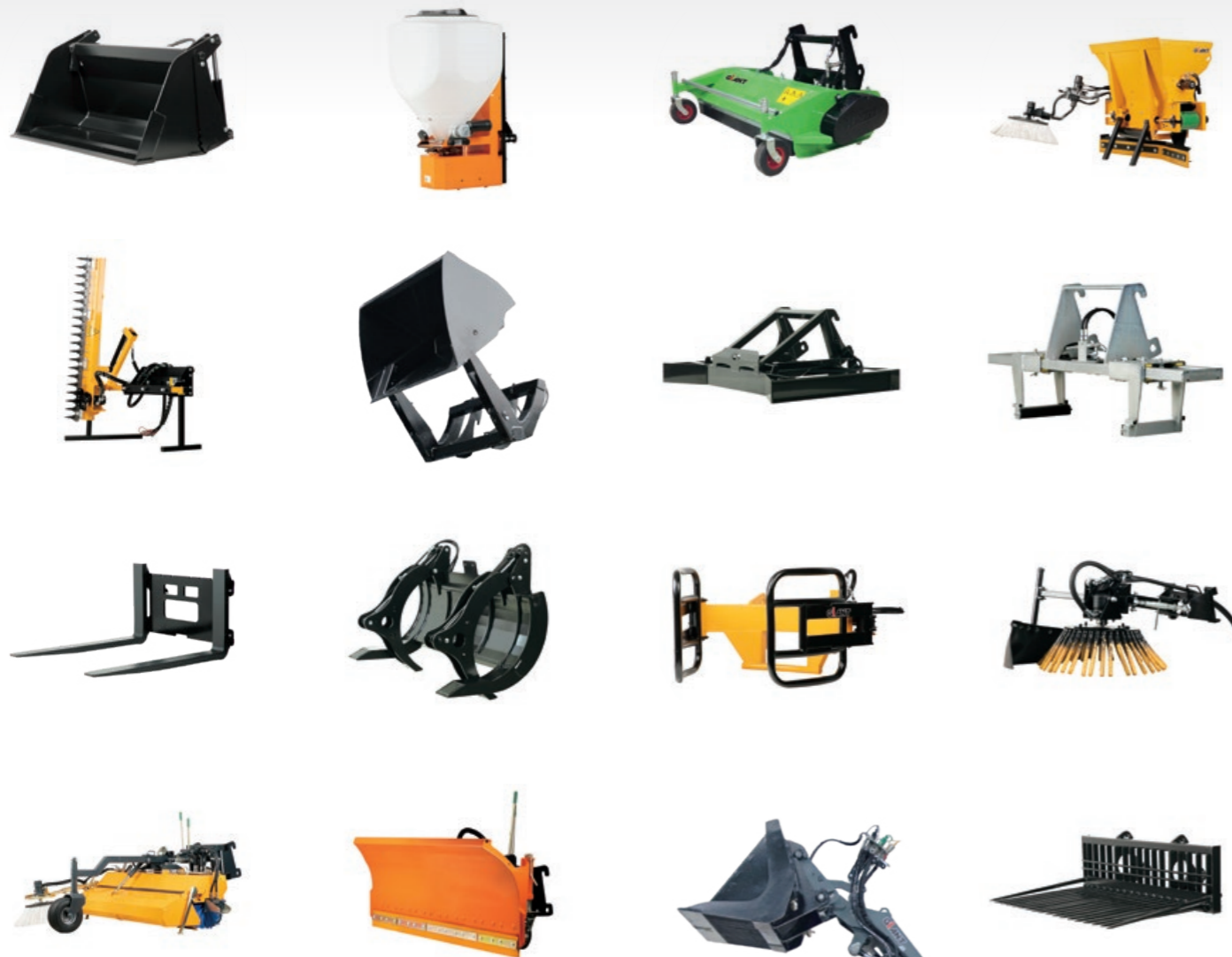
### ELECTRONIC CONTROL

Information regarding battery level, energy consumption, warning signals, and other indicators can be read from the dashboard, ensuring that these important data are always visible during work.

## ATTACHMENTS

### WIDE VARIETY WITH 700+ ATTACHMENTS

Our attachments are developed entirely in-house, ensuring they deliver the best performance with our machines. TOBROCO-GIANT offers more than 700 different attachments so that your machine can be used all year round. By changing tools, it is possible to easily adapt your GIANT for work in the agricultural sector, construction & demolition, infrastructure, terrain maintenance, and many other application areas. Complete every job with one machine!



#### HYDRAULIC QUICK-CHANGE SYSTEM

The G2200E is standard equipped with a hydraulic quick-change system. This allows attachments to be changed safely and within seconds.

#### QUICK-CHANGE SYSTEMS

We offer a wide range of quick-change systems, allowing you to continue using the attachments you already have.









## SECTORS

### ONE MACHINE FOR EVERY JOB



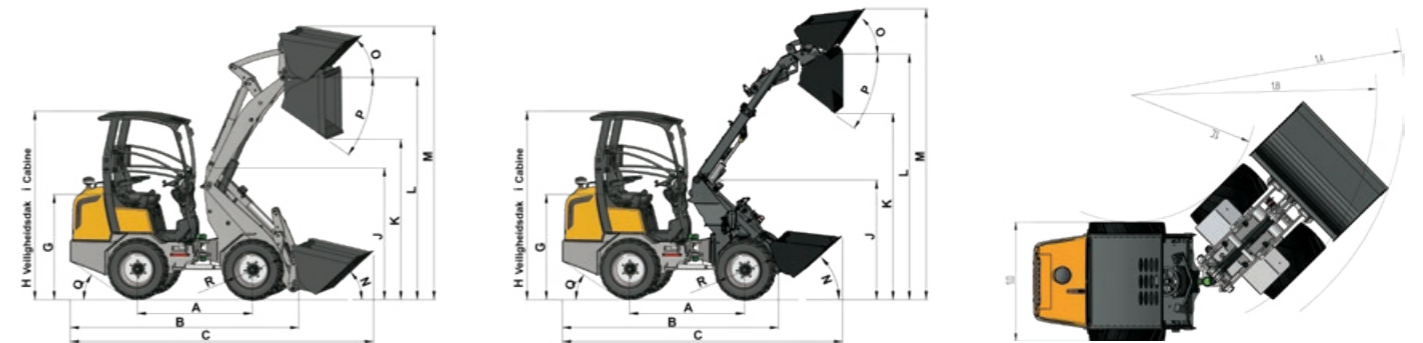
**SPECIFICATIONS**



TYPE	 G2200E	 G2200E X-TRA	 G2200E TELE
Service weight <sup>1</sup>	2.200 kg	2.200 kg	2.300 kg
Lifting capacity	1.650 kg	2.200 kg	1.500 kg
Tipping load <sup>2</sup>	1.450 kg	2.054 kg	zie grafiek
<b>DIMENSIONS AND SPEED</b>			
Lifting height <sup>2</sup>	2.825 mm	2.450 mm	3.395 mm
Length without bucket	2.975 mm	3.054 mm	3.060 mm
Machine height <sup>3</sup>	2.300 mm	2.300 mm	2.300 mm
Width on standard tyres	1.080 mm	1.080 mm	1.080 mm
Standard tyres	10.0/75x15.3 AS	10.0/75x15.3 AS	10.0/75x15.3 AS
Travel speed	0-4.5 / 0-12 / 0-18 km/u	0-4.5 / 0-12 / 0-18 km/u	0-4.5 / 0-12 / 0-19 km/u
<b>STANDARD BATTERY</b>			
LFP-Battery (Lithium Iron Phosphate)	13.3 kW / 260 Ah / 48V	13.3 kW / 260 Ah / 48V	13.3 kW / 260 Ah / 48V
Charger (on board)	230V / 40A	230V / 40A	230V / 40A
Battery charging time	6 to 7 hours	6 to 7 hours	6 to 7 hours
<b>RIJAANDRIJVING</b>			
Electric motor	6,5 kW	6,5 kW	6,5 kW
Energy recovery	Yes	Yes	Yes
Type	Electric four-wheel drive with cardan shaft		
Differential	Limited slip on both axles		
Drum brakes	12.500 N	12.500 N	12.500 N
Hill-Hold control	Yes	Yes	Yes
Parking brake	Electronic brake on the electric motor		
<b>WORKING HYDRAULICS</b>			
Electric motor	12 kW	12 kW	12 kW
Working hydraulics	35 ltr/min (170 bar)	35 ltr/min (170 bar)	35 ltr/min (170 bar)

STANDARD MACHINE FEATURES TYPE	 G2200E	 G2200E X-TRA	 G2200E TELE
GIANT standard quick-change system (hydraulic lock)	Std	Std	Std
Double acting hydraulic function on lift arm (mechanically operated)	Std	Std	Std
ROPS/FOPS safety roof incl. safety doors left and right	Std	Std	Std
Hydraulic servicebrake on 4 wheels	Std	Std	Std
Luxury suspension seat with seat belt, armrest and back extension	Std	Std	Std
Anti-theft protection with access code (not certified)	Std	Std	Std
Towing hook at the back	Std	Std	Std
Working light (LED) front, on lifting arm	Std	Std	Std

<sup>1</sup> Measured with earthbucket    <sup>2</sup> Measured with hinge point in straight position on standard tyres    <sup>3</sup> Measured on standard tyres with safety roof

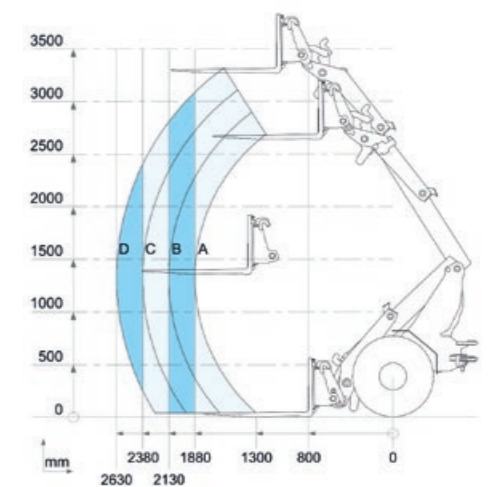
MEASUREMENTS	 G2200E	 G2200E X-TRA	 G2200E TELE
A Wheelbase	1.530 mm	1.580 mm	1.525 mm
B Total length	2.890 mm	3.054 mm	3.060 mm
C Length with bucket	3.590 mm	3.830 mm	3.900 mm
G Seat height	1.256 mm	1.256 mm	1.256 mm
H Max. height with safety roof	2.300 mm	2.300 mm	2.300 mm
I Max. height with cabin	2.276 mm	2.276 mm	2.276 mm
J Height front frame	1.670 mm	1.450 mm	1.410 mm
K Max. dumping height	1.990 mm	1.680 mm	2.540 mm
L Lifting height	2.800 mm	2.450 mm	3.390 mm
M Height with bucket	3.39 mm	3.040 mm	4.052 mm
N Rollback angle on the ground	43°	41°	41°
O Rollback angle at max. lift height	47°	46°	41°
P Uitkiephoek bak boven	53°	37°	40°
Q Drive-up angle	29°	29°	28°
R Outer size of tyres	760 mm	760 mm	780 mm
1A Turning radius with bucket	2.599 mm	2.650 mm	2.599 mm
1B Turning radius on outer edge	2.292 mm	2.342 mm	2.292 mm
1C Inner turning radius	1.179 mm	1.230 mm	1.179 mm
1D Width on standard tyres	1.080 mm	1.080 mm	1.080 mm



TIPPING LOADS	 G2200E	 G2200E X-TRA	 G2200E TELE
S	1.500 kg	1.935 kg	A 1.120 kg
T	1.390 kg	1.775 kg	B 989 kg
U	1.080 kg	1.330 kg	C 885 kg
V	845 kg	1.010 kg	D 801 kg
W	2.360 kg	2.495 kg	
X	1.645 kg	1.725 kg	
Y	1.175 kg	1.230 kg	



Tipping load = without counterweights. Measured with GIANT hitch. The above values may deviate for other types of hitches.



## AVAILABLE OPTIONS

TYPE	G2200E	X-TRA	TELE
<b>BATTERY</b>			
LFP-battery (Lithium Iron Phosphate), 20,0 kW / 390 Ah, 48V (375 kg)	0	0	0
LFP-battery (Lithium Iron Phosphate), 26,6 kW / 520 Ah, 48V (375 kg)	0	0	0
<b>CHARGER</b>			
Charger (on board), 230V / 60A (battery charging time 260 Ah: 4 hours)	0	0	0
High-Frequency-Charger (separate external charger) IP54, 48V / 150A (charging time 260 Ah: 3 hours)	0	0	0
High-Frequency-Charger (separate external charger) IP54, 48V / 300A (charging time 260Ah: 1,5 hours)	0	0	0
Adapter cable Type 2-16A, 5m	0	0	0
<b>SAFETY ROOF / CABIN</b>			
ROPS/FOPS safety roof deluxe incl. safety doors, side mirrors, 2 working lights (LED) front and 2 rear	0	0	0
ROPS/FOPS foldable safety roof incl. safety doors (clearance height with folded safety roof: 1.950 mm)	0	0	0
ROPS/FOPS foldable safety roof deluxe incl. safety doors (L+R), 2 side mirrors, 2 working lights (LED) front and 2 rear	0	0	0
ROPS/FOPS cabin	0	0	0
DAB+ radio and speakers (Bluetooth and USB 2.0 connection)	0	0	0
Cabin mat	0	0	0
Mechanical suspension seat with seat heating incl. seat belt and armrests	0	0	0
Air-suspended seat incl. seat belt and armrests	0	0	0
Air-suspended seat with seat heating incl. seat belt and armrests	0	0	0
Side mirrors (L+R)	0	0	0
<b>HYDRAULIC CONNECTIONS ON LIFT ARM</b>			
Transport lock	0	0	0
Hose break protection on lifting and top cylinder	0	0	0
1x double-acting hydraulic function, proportionally controlled in joystick with memory function	0	0	0
1x additional double-acting hydraulic function, mechanically operated	0	0	0
1x extra double-acting hydraulic function, proportionally controlled in joystick with memory function	0	0	0
2x extra double-acting hydraulic function, proportionally controlled in joystick with memory function	0	0	0
Leakage oil connection	0	0	0
Free return	0	0	0
<b>ELECTRICS / LIGHTING</b>			
Switched 12 Volt connection, 3 pole on lifting arm	0	0	0
Switched 12 Volt connection, 3 pole in cabin	0	0	0
Plug socket trailer 13-pin, rear incl. heavier 12V converter (max. 300W)	0	0	0
Additional work light (LED) for lifting arm	0	0	0
Additional work light (LED) for safety roof (max. 2 pieces)	0	0	0
Additional work light (LED) at the back, behind the seat or on the safety roof (max. 2 pieces)	0	0	0
Beacon (LED) on safety roof	0	0	0
Verkeersverlichting (LED)	0	0	0
License plate holder with lighting (LED)	0	0	0
<b>OTHER OPTIONS</b>			
Machine in RAL company color	0	0	0
Reversing signal	0	0	0
Mudguard wideners	0	0	0
towing hook + towing ball)	0	0	0
Counterweight (40kg) under frame (max. 2 pieces)	0	0	0
Different hitch	0	0	0
Lifting suspension	0	0	0
Document box	0	0	0
Panolin HLP Synth 46 biodegradable hydraulic fluid	0	0	0
Road specification (ask your dealer for details)	0	0	0

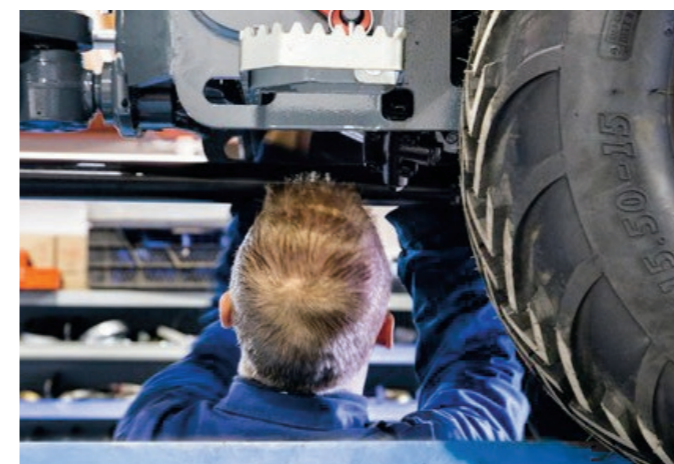
## MAINTENANCE & SERVICE

### MAINTENANCE



The G2200E models are easy to maintain because service points are easy to access. Hydraulic system and battery are freely accessible via the easy-to-use open service valves. This ensures that daily checks and maintenance can be carried out quickly and safely way can be performed.

### SERVICE & SUPPORT



At TOBROCO-GIANT we offer support, service and high quality parts to protect the investment that you have made in GIANT machinery. Together with our dealers we are available to make sure that your machine performs in the best possible way. This increases your productivity and will result in an even better return on your investment.

### GENUINE GIANT PARTS



The usage of genuine GIANT parts ensures reliable, efficient and safe operation of your machine. We only use the best quality components and test them severely before we introduce a new model. All these parts are vital for the best possible performance and minimising downtime. Keeping your GIANT 100% original saves money for the owner because of reduced maintenance costs and results in a higher resale value once the machine is resold.

### TRAINING



At TOBROCO-GIANT we know all the details about our machines. That is why we offer an extensive training program to our dealers. Not only on the newest features or attachments, but also on how to service a machine to the highest standards.

# THE COMPANY ENGINEERING AND PRODUCTION UNDER ONE ROOF

*“Developed in **The Netherlands**,  
built for the world”*

In more than 25 years, TOBROCO-GIANT has grown into a global player in compact machines with one of the broadest portfolios in the industry. The wide range of attachments ensures that all work can be carried out with one machine. This means that GIANT machines can be used all year round for all kinds of work.

Attachment equipment is developed in-house at TOBROCO-GIANT in the Netherlands and manufactured in our own factory in Hungary. By using the most modern technology, ensuring continuous innovation and applying the best components, GIANT machines and attachments are produced with the greatest care and quality.

Every day, the team of more than 600 employees in the Netherlands, Hungary and America focuses with passion and enthusiasm on complete customer satisfaction.

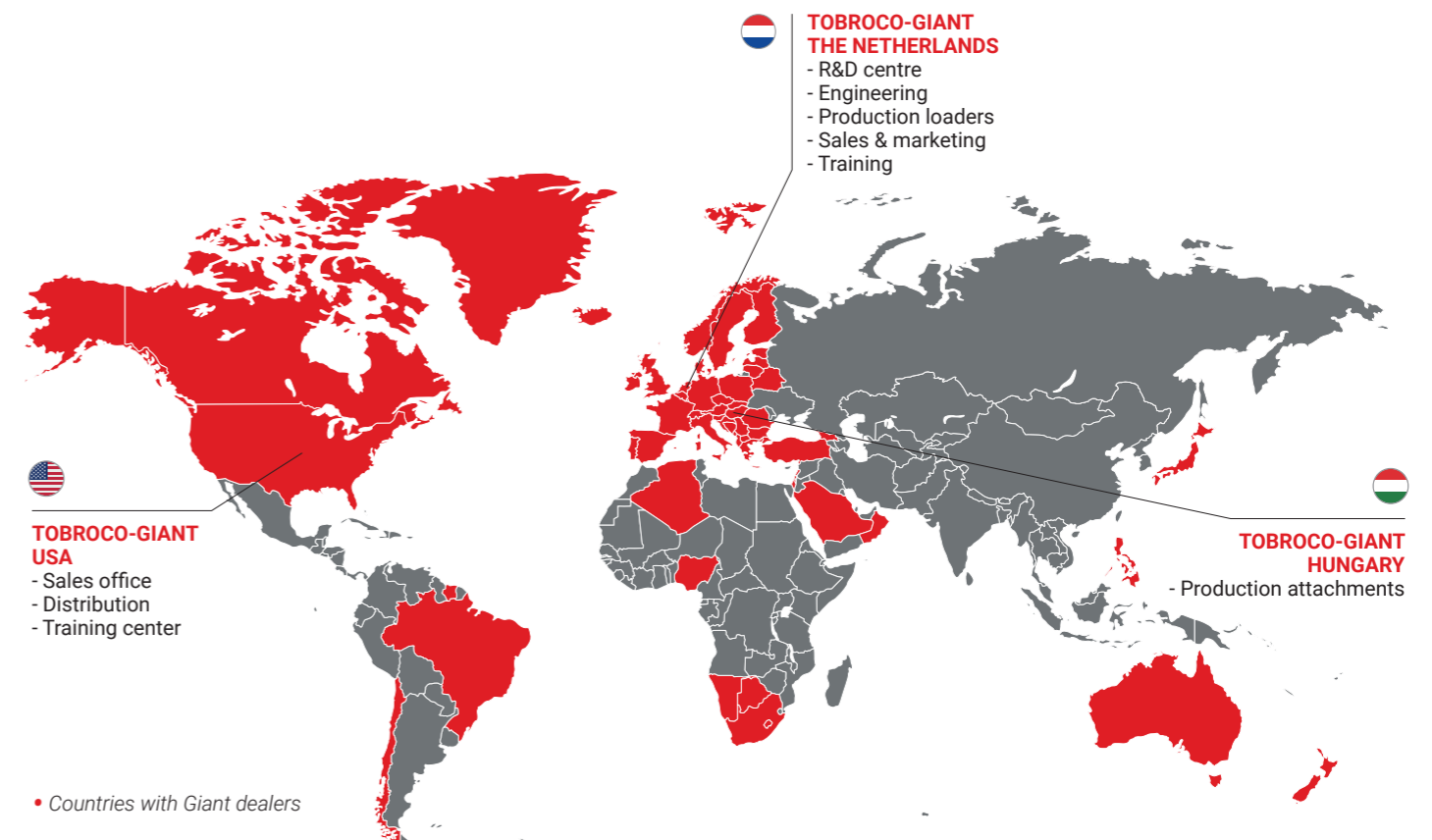
As a producer of wheel loaders and attachments, TOBROCO-GIANT knows better than anyone how important an attachment is for your machine to perform optimally. The goal of the attachments team is to let the user get the best possible return from the GIANT.

We have more than 700 different attachments available so that the GIANT machines can change from an earth-moving machine to, for example, a sweeper, paving machine, feeding machine, lawn mower, hedge trimmer, snow blade, excavator or forklift.

Our engineers design for each GIANT model their own line of attachments, tailored to the characteristics and performance of the machine. As a result, for example, we have already included more than 45 different variants of Earth buckets in our standard range.

The engineering team is constantly expanding customerspecific attachments by testing and improving our existing line of attachments.

In addition to our own attachments engineering department, TOBROCO-GIANT also has its own production locations in Oisterwijk (NL) and Füzesabony (HU). Our factory in Hungary was newly completed in 2022 with a work floor of more than 10,000 m<sup>2</sup>. This modern factory has an extensive, CNC controlled, machine park with several robots and a fully automatic sand blasting and paint shop line for surface treatment of attachments.



# ALL MODELS

TOBROCO-GIANT has been the manufacturer of GIANT machines and attachments since 1996 when we opened our first factory in the Netherlands. Today, TOBROCO-GIANT offers one of the broadest portfolios in the industry with more than 40 models in more than 80 countries. In addition to machines with engines ranging from 20 hp to 76 hp, TOBROCO-GIANT also supplies electric machines and a complete line of compaction machines. TOBROCO-GIANT is growing into a full-liner in compact and sustainable equipment.



GS800G  
GS800  
GS900

GS900E  
GS850T  
GS950T  
GS950TE



G1100 (TELE)  
G1200 (TELE)



G1500 (X-TRA)



G2200E (X-TRA / TELE)



G2300 (X-TRA) HD



G2500 (X-TRA) HD



G2700 (X-TRA / TELE) HD  
G2700 (X-TRA / TELE) HD+  
G2700E (X-TRA / TELE)  
G2700E (X-TRA / TELE) HD



G3500 (X-TRA / TELE)



G5000 (X-TRA / TELE)



GT5048



ATTACHMENTS

700+



VIBRATORY PLATES  
E-VIBRATORY PLATES



VIBRATORY RAMMERS  
E-VIBRATORY RAMMERS



REVERSIBLE VIBRATORY PLATES  
E-REVERSIBLE VIBRATORY PLATES

Electric



**GIANT**<sup>®</sup>  
BY TOBROCO

TOBROCO-GIANT

Sprenglingenstraat 57, 5061 KM Oisterwijk (The Netherlands)

Tel.: +31 (0)13-5211212 | Fax: +31 (0)13-5234045

Internet: www.tobroco-giant.com | E-Mail: info@tobroco-giant.com



[www.facebook.com/tobroco-giant](https://www.facebook.com/tobroco-giant)

[www.tobroco-giant.com](https://www.tobroco-giant.com)

[www.instagram.com/tobroco-giant](https://www.instagram.com/tobroco-giant)

[www.youtube.com/tobroco-giant](https://www.youtube.com/tobroco-giant)

All technical data in this brochure refer to under Central European operating conditions tested series models and describe the standard functions. Specifications and their modes of operation, as well as accessories, depend on the model and the options of the product, as well as country-specific regulations in the country of sale. Images may show non-listed or non-standard available products. The descriptions, illustrations, weights and technical data are not binding and are in accordance with the state of the art at the time of going to press. Changes in the design, equipment, optics and technology are due to the continuous development of its products without prior notice. Do you need special functions which are only available through the use of additional components and / or under special circumstances, please contact us! We will be happy to answer your questions and let you know whether and under what conditions regarding the product and the environmental conditions special functions are realizable. When doubts about the capacity or the performance of our products under special circumstances, we recommend to perform under controlled conditions. Testing activities despite the utmost care, we cannot rule out deviations from illustrations or dimensions, calculation errors, misprints or omissions in this brochure. We therefore accept no liability for the correctness and completeness of the information contained in this brochure. As part of our General Terms and Conditions, we guarantee the proper functioning of our products. Furthermore Linear guarantees we provide in principle. A further liability than outlined in our Terms and Conditions is excluded.

Article number:  
P00132200EEN